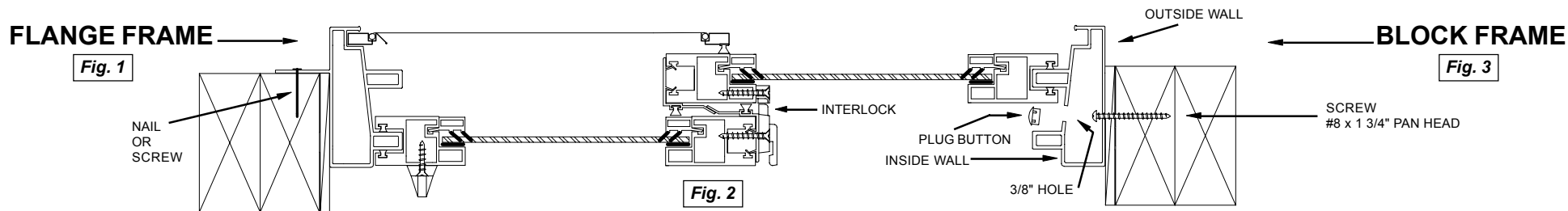




# INSTALLATION INSTRUCTIONS

## Easy Glide Slider

For installation, Manufacturer recommends using **PSI-801 Polyether Sealant** or **Sonolastic 150 Sealant** for proper adhesion and weatherproofing of vinyl windows and doors. Available at Coastal Windows.



**STORAGE:** Store windows, doors and components out of contact with the ground, under a weathertight covering, with no direct sunlight. The storage area must have adequate ventilation. Keep windows and doors upright.

IT IS THE RESPONSIBILITY OF THE OWNER, ARCHITECT OR BUILDER TO SELECT PRODUCTS IN COMPLIANCE WITH APPLICABLE LAWS AND BUILDING CODES. COASTAL WINDOWS, INC. RESERVES THE RIGHT TO CHANGE ITS PRODUCT DESIGNS AND/OR SPECIFICATIONS WITHOUT NOTICE.

### INSTALLATION

1. **ROUGH OPENING SHOULD BE 1/4" TO 1/2" LARGER THAN WINDOW.**
2. **THE WINDOW MUST BE INSTALLED LEVEL, PLUMB AND SQUARE TO FUNCTION PROPERLY SINCE THERE ARE NO METHODS OF ADJUSTMENT AFTER INSTALLATION.**
3. Panels may need to be removed prior to installation.
4. Weep holes on frame are on the sill and face the outside.
5. Teflon pads indicate the bottom of the panel.
6. The operating panel mounts on the inside track, directly behind the large weep holes.

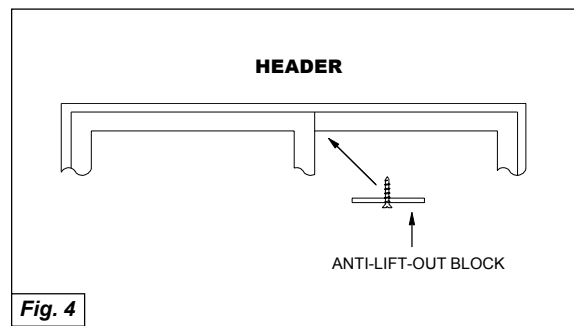
### Flange Frame See Figure 1.

1. **IMPORTANT - The sill must be level.** There is no panel adjustment. The panels must be leveled by shimming under the sill frame every 3 to 5 inches to support the weight of the panels.
2. When the sill and header are level and the jambs are plumb, nail or screw flange every 3 to 5 inches including head.
3. JAMBS: screw in center, HEAD: screw in center and every

4 feet, by drilling a 3/8" hole through the inside wall **only**. The screw goes through the outside wall. See Figure 3. **Do not overtighten.** Use shims to support screws between window frame and opening. Caulk full exterior and interior perimeter. See Figure 1.

### Block Frame

1. To secure the window frame into the opening, set sill in a bed of silicone/adhesive and shim level.
2. Use shims to support screws between window frame and opening. Screw full perimeter 3 inches from corners and every 12 to 16 inches thereafter by drilling a 3/8" hole between the tracks through the inside wall only. The screw goes through the outside wall. See Figure 3. **Do not overtighten.**
3. When window is secured, cover sill screw heads with silicone. Silicone sill plug button holes before capping. The plug buttons supplied will snap into the 3/8" hole. Caulk full exterior and interior perimeter.

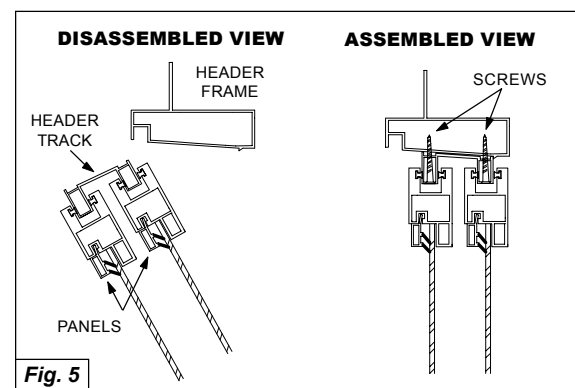


### EASY GLIDE SLIDER Panel Removal

1. To remove panel, unscrew the anti-lift-out block and lift panel out. See Figure 4. The panels should not lift out of an installed window with the anti-lift-out block in place.

### COMMERCIAL SLIDER Panel Removal

1. To remove panels from frame, remove screws from header track and tilt panels out. See Figure 5.
2. When reinstalling screws in header track, **do not overtighten.**



**NOTE: All Panels Operate.**

If you have any questions or if something is not clear, please call the factory. We are here to help.

**COASTAL WINDOWS, INC.** • 94-533 Puahi Street • Waipahu, Hawaii 96797 • PH: (808) 676-0529

Lic. No. BC-18663

rev. 6/99